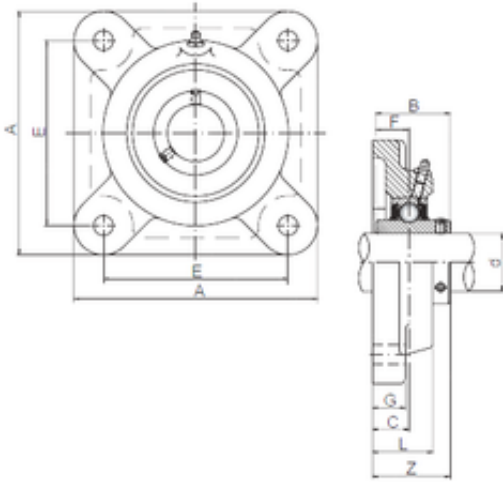




# BEARING-MALAYSIA SDN.BHD.



## ISO UCF314 bearing units

Bearing No. UCF314

Bore Diameter	70 mm
Width	78 mm
d	70 mm
Z	81 mm
A	226 mm
B	78 mm
C	36 mm
E	178 mm
F	33 mm
G	25 mm
L	61 mm
S	25 mm
Bolt (G)	M22

UCF314 Bearing 2D drawings and 3D CAD models