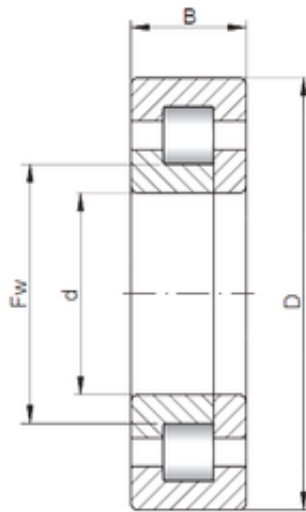




## BEARING-MALAYSIA SDN.BHD.



140 mm x 190 mm x 30 mm ISO NUP2928  
cylindrical roller bearings

Bearing No. NUP2928

Size	140x190x30 mm
Bore Diameter	140 mm
Outer Diameter	190 mm
Width	30 mm
d	140 mm
D	190 mm
B	30 mm
C	30 mm

NUP2928 Bearing 2D drawings and 3D CAD models