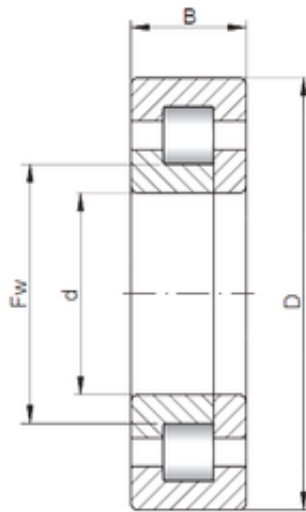




BEARING-MALAYSIA SDN.BHD.



340 mm x 460 mm x 72 mm ISO NUP2968
cylindrical roller bearings

Bearing No. NUP2968

Size	340x460x72 mm
Bore Diameter	340 mm
Outer Diameter	460 mm
Width	72 mm
d	340 mm
D	460 mm
B	72 mm
C	72 mm

NUP2968 Bearing 2D drawings and 3D CAD models