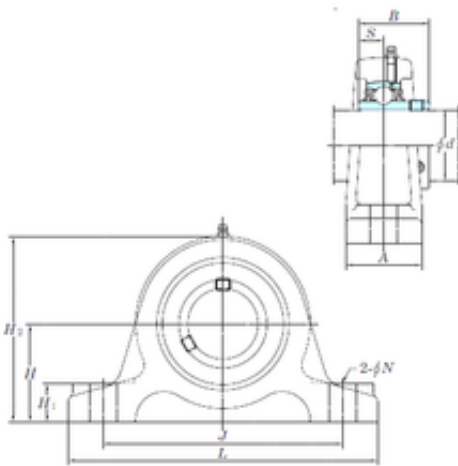




# BEARING-MALAYSIA SDN.BHD.

## KOYO UCIP213-40 bearing units

Bearing No. UCIP213-40



UCIP213-40 Bearing 2D drawings and 3D CAD models

Bore Diameter	63,5 mm
Width	65,1 mm
d	63,5 mm
A	70 mm
B	65,1 mm
H	90 mm
H1	30 mm
H2	172 mm
J	220 mm
L	280 mm
N	22 mm
S	25,4 mm
Bolt (G)	M20
Weight	8,8 Kg
Basic dynamic load rating (C)	57,2 kN
Basic static load rating (C0)	40,1 kN