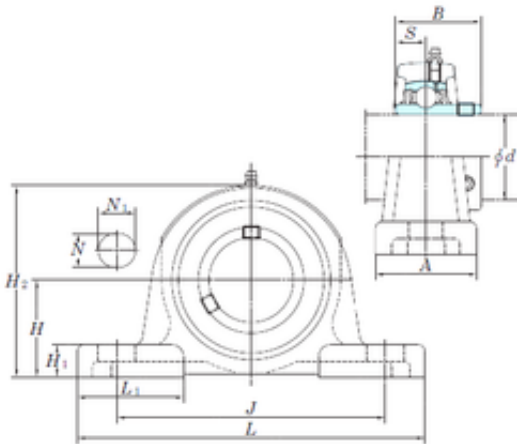




BEARING-MALAYSIA SDN.BHD.

KOYO UCP309 bearing units

Bearing No. UCP309



UCP309 Bearing 2D drawings and 3D CAD models

| | |
|-------------------------------|---------|
| Bore Diameter | 45 mm |
| Width | 57 mm |
| d | 45 mm |
| A | 67 mm |
| B | 57 mm |
| H | 67 mm |
| H1 | 21 mm |
| H2 | 132 mm |
| J | 190 mm |
| L | 245 mm |
| L1 | 75 mm |
| N | 20 mm |
| N1 | 30 mm |
| S | 22 mm |
| Bolt (G) | M16 |
| Weight | 4,9 Kg |
| Basic dynamic load rating (C) | 48,9 kN |
| Basic static load rating (C0) | 29,5 kN |
| Bearing No. | UCP309 |
| Bolt size | M16 |
| Cr | 48.9 |
| C0r | 29.5 |
| f0 | 13.3 |
| (Refer.)Unit mass(kg) | 4.9 |
| Nipple size | R1/8 |