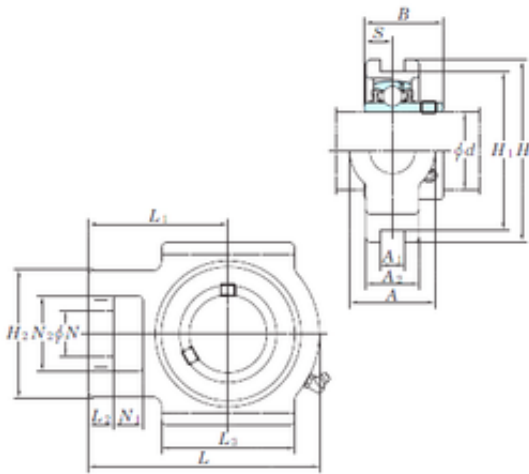




# BEARING-MALAYSIA SDN.BHD.



## KOYO UCT201-8E bearing units

Bearing No. UCT201-8E

|                               |         |
|-------------------------------|---------|
| Bore Diameter                 | 12,7 mm |
| d                             | 12,7 mm |
| L2                            | 10 mm   |
| L3                            | 51 mm   |
| A                             | 32 mm   |
| A1                            | 13,5 mm |
| B                             | 31 mm   |
| H                             | 89 mm   |
| H1                            | 76,2 mm |
| H2                            | 51 mm   |
| L                             | 94 mm   |
| L1                            | 61 mm   |
| N                             | 19 mm   |
| N1                            | 16 mm   |
| S                             | 12,7 mm |
| A2                            | 21 mm   |
| N2                            | 32 mm   |
| Weight                        | 0,81 Kg |
| Basic dynamic load rating (C) | 12,8 kN |
| Basic static load rating (C0) | 6,65 kN |

UCT201-8E Bearing 2D drawings and 3D CAD models