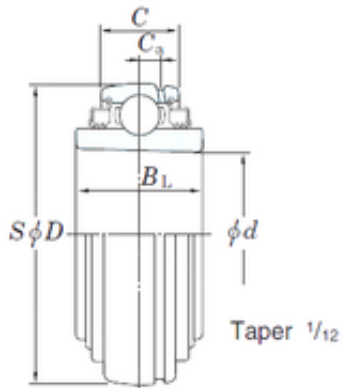




BEARING-MALAYSIA SDN.BHD.

100 mm x 215 mm x 68 mm KOYO UK320L3
deep groove ball bearings



Bearing No. UK320L3

Size	100x215x68 mm
Bore Diameter	100 mm
Outer Diameter	215 mm
Width	68 mm
d	100 mm
D	215 mm
B	68 mm
C	54 mm
C	18 mm
Weight	8,7 Kg
Basic dynamic load rating (C)	173 kN
Basic static load rating (C0)	141 kN

UK320L3 Bearing 2D drawings and 3D CAD models