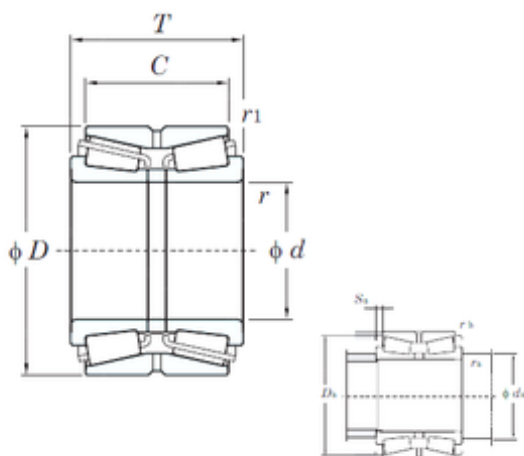




BEARING-MALAYSIA SDN.BHD.



KOYO 46376 tapered roller bearings

Bearing No. 46376

Size	380x620x194 mm
Bore Diameter	380 mm
Outer Diameter	620 mm
Width	194 mm
d	380 mm
D	620 mm
T	194 mm
C	173 mm
r min.	6 mm
r1 min.	2 mm
da min.	408 mm
Da min	582 mm
ra max.	5 mm
rb max.	2 mm
Weight	215 Kg
Basic dynamic load rating (C)	2870 kN
Basic static load rating (C0)	5220 kN
(Grease) Lubrication Speed	340 r/min
(Oil) Lubrication Speed	450 r/min
Calculation factor (e)	0,39
Calculation factor (Y0)	1,7
Bearing No.	46376
r(min)	6
r1(min)	2
Cr	3380
C0r	5220

46376 Bearing 2D drawings and 3D CAD models



BEARING-MALAYSIA SDN.BHD.

Cu	250
Grease lub.	340
Oil lub.	450
da(min)	408
Da(min)	610
Sa(min)	10.5
ra(max)	5
rb(max)	2
e	0.39
Y2	1.74
Y3	2.59
Y0	1.70
(Refer.)Mass(kg)	215