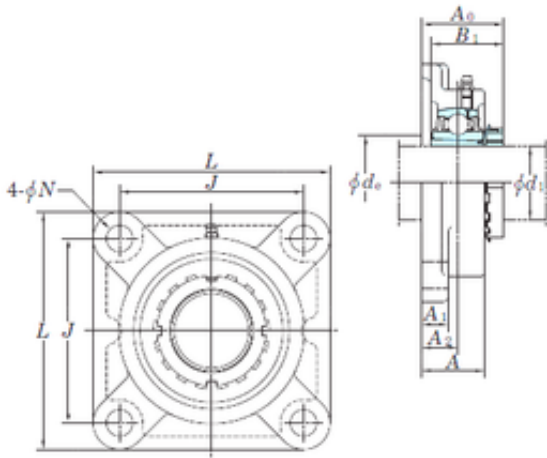




# BEARING-MALAYSIA SDN.BHD.

## KOYO UKF310 bearing units

Bearing No. UKF310



UKF310 Bearing 2D drawings and 3D CAD models

Bore Diameter	45 mm
d	45 mm
A0	60 mm
A	48 mm
A1	19 mm
B1	55 mm
J	132 mm
L	175 mm
N	23 mm
Thread (G)	M20
A2	28 mm
Weight	5,1 Kg
Basic dynamic load rating (C)	62 kN
Basic static load rating (C0)	38,3 kN