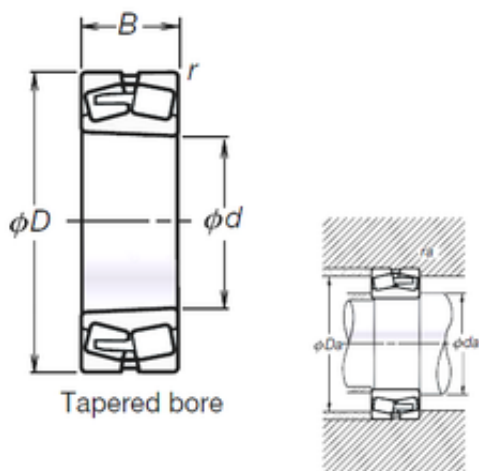




## BEARING-MALAYSIA SDN.BHD.



240 mm x 400 mm x 128 mm NSK  
TL23148CAKE4 spherical roller bearings

Bearing No. TL23148CAKE4

Size	240x400x128 mm
Bore Diameter	240 mm
Outer Diameter	400 mm
Width	128 mm
d	240 mm
D	400 mm
B	128 mm
C	128 mm
r min.	4 mm
da min.	258 mm
Da min	382 mm
Da max.	347 mm
ra max.	3 mm
Weight	64,5 Kg
Basic dynamic load rating (C)	1790 kN
Basic static load rating (C0)	3100 kN
(Grease) Lubrication Speed	670 r/min
(Oil) Lubrication Speed	850 r/min
Calculation factor (e)	0,31
Calculation factor (Y0)	2,2
Calculation factor (Y2)	3,3

TL23148CAKE4 Bearing 2D drawings and 3D CAD models