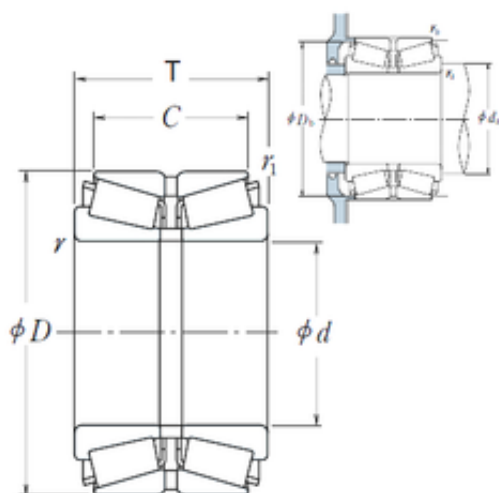




BEARING-MALAYSIA SDN.BHD.



NSK 160KBE2801+L tapered roller bearings

Bearing No. 160KBE2801+L

Size	160x280x150 mm
Bore Diameter	160 mm
Outer Diameter	280 mm
Width	150 mm
d	160 mm
D	280 mm
T	150 mm
C	125 mm
r min.	4 mm
r1 min.	1 mm
da min.	181 mm
Db min.	266 mm
ra max.	3 mm
rb max.	1 mm
Weight	35,9 Kg
Basic dynamic load rating (C)	1100 kN
Basic static load rating (C0)	36,576 kN
(Grease) Lubrication Speed	1000 r/min
(Oil) Lubrication Speed	1300 r/min
Calculation factor (e)	0,32
Calculation factor (Y0)	2,1
Calculation factor (Y2)	3,2

160KBE2801+L Bearing 2D drawings and 3D CAD models