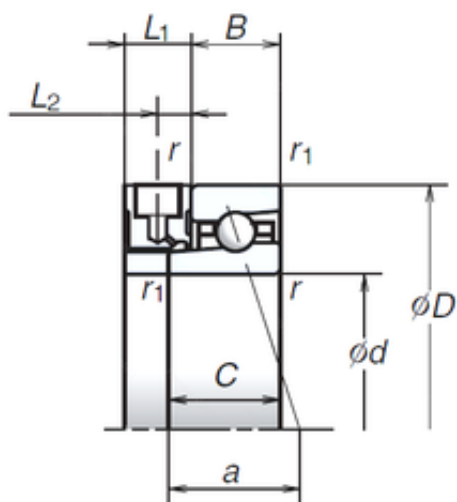




BEARING-MALAYSIA SDN.BHD.



90 mm x 140 mm x 24 mm NSK 90BER10XE
angular contact ball bearings

Bearing No. 90BER10XE

Size	90x140x24 mm
Bore Diameter	90 mm
Outer Diameter	140 mm
Width	24 mm
d	90 mm
D	140 mm
B	24 mm
C	29 mm
L2	7,5 mm
Angle (°)	25 °
a	43,8 mm
r min.	1,5 mm
r1 min.	1 mm
L1	15 mm
Weight	1,25 Kg
Basic dynamic load rating (C)	33,5 kN
Basic static load rating (C0)	31,5 kN
(Grease) Lubrication Speed	26 100 r/min

90BER10XE Bearing 2D drawings and 3D CAD models