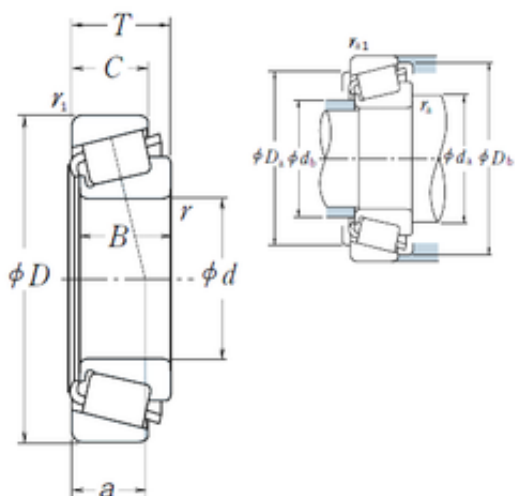




## BEARING-MALAYSIA SDN.BHD.

63,5 mm x 136,525 mm x 33,236 mm NSK  
78250/78537 tapered roller bearings

Bearing No. 78250/78537



78250/78537 Bearing 2D drawings and 3D CAD models

Size	63.5x136.525x36.512 mm
Bore Diameter	63,5 mm
Outer Diameter	136,525 mm
Width	36,512 mm
d	63,5 mm
D	136,525 mm
T	36,512 mm
B	33,236 mm
C	23,52 mm
ra1 max.	3,3 mm
a	44,2 mm
r min.	2,3 mm
r1 min.	3,3 mm
Da	115 mm
db	79 mm
ra max.	2,3 mm
da	85 mm
Db	130 mm
Weight	2,292 Kg
Basic dynamic load rating (C)	152 kN
Basic static load rating (C0)	183 kN
(Grease) Lubrication Speed	2600 r/min
(Oil) Lubrication Speed	3600 r/min
Calculation factor (e)	0,87
Calculation factor (Y0)	0,38



## BEARING-MALAYSIA SDN.BHD.

LangID	1
ALP23	0
outer r	3.3
ALP22	0
D_	136.525
ALP21	60
SHOG_yobi	78250R/78537R
RAr	125.485
inner r	2.3
GRS rpm	2600
D_b	130
D_a	115
DE_	114.54
SLR	23
Prod_Type3	TRBSR_ID_A
BETA_	4
ALPHA_	30
SDM_	99.339
DA1	18.23
DA2	14.932
hidYobi	78250/78537
Y1	0.69
B_	33.236
Oil rpm	3600
hidTable	ecat_NSTPRI
Y0	0.38
inner ra	2.3
outer rb	3.3
C0	183
CUP	0.782
e	0.87
DA_	16.608



## BEARING-MALAYSIA SDN.BHD.

BET21	8
BET22	20
BET23	0
Z_	16
C_	23.52
yobi	78250/78537
KBRG	3161
CONE	1.51
DI_	84.063