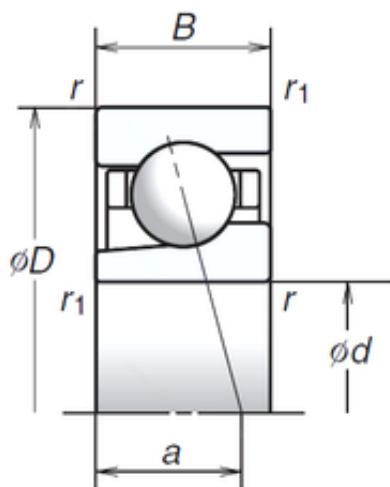




## BEARING-MALAYSIA SDN.BHD.



12 mm x 28 mm x 8 mm NSK 12BGR10H  
angular contact ball bearings

Bearing No. 12BGR10H

Size	12x28x8 mm
Bore Diameter	12 mm
Outer Diameter	28 mm
Width	8 mm
d	12 mm
D	28 mm
B	8 mm
C	8 mm
Angle ( ° )	15 °
a	6,7 mm
r min.	0,3 mm
r1 min.	0,15 mm
Weight	0,018 Kg
Basic dynamic load rating (C)	3,85 kN
Basic static load rating (C0)	1,48 kN
(Grease) Lubrication Speed	95 000 r/min
(Oil) Lubrication Speed	140 000 r/min

12BGR10H Bearing 2D drawings and 3D CAD models