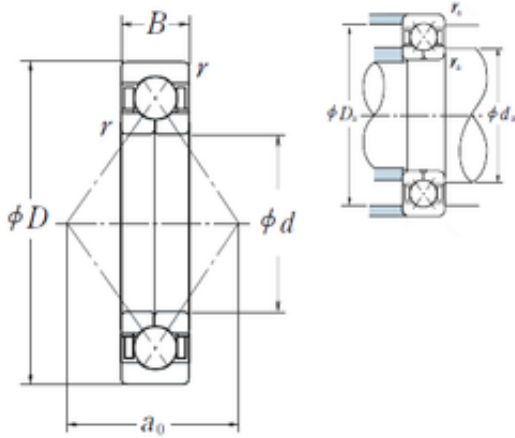




BEARING-MALAYSIA SDN.BHD.



130 mm x 200 mm x 33 mm NSK QJ 1026
angular contact ball bearings

Bearing No. QJ 1026

Size	130x200x33 mm
Bore Diameter	130 mm
Outer Diameter	200 mm
Width	33 mm
d	130 mm
D	200 mm
B	33 mm
C	33 mm
Angle (°)	35 °
a	115,5 mm
r min.	2 mm
da min.	140 mm
da max	190 mm
ra max.	2 mm
Weight	4 Kg
Basic dynamic load rating (C)	169 kN
Basic static load rating (C0)	415 kN
(Grease) Lubrication Speed	2 400 r/min

QJ 1026 Bearing 2D drawings and 3D CAD models