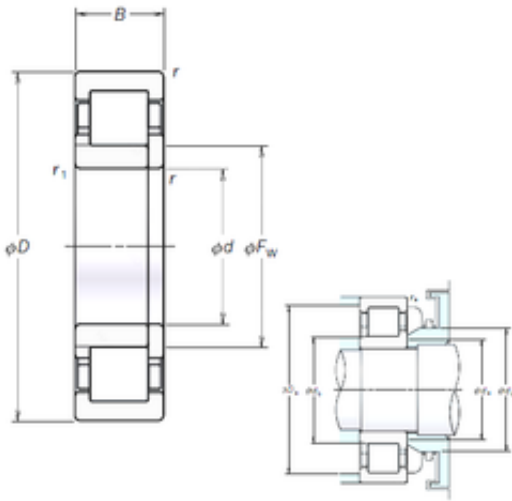




BEARING-MALAYSIA SDN.BHD.



180 mm x 380 mm x 75 mm NSK NUP336EM
cylindrical roller bearings

Bearing No. NUP336EM

NUP336EM Bearing 2D drawings and 3D CAD models

Size	180x380x75 mm
Bore Diameter	180 mm
Outer Diameter	380 mm
Width	75 mm
d	180 mm
Fw	231 mm
D	380 mm
B	75 mm
C	75 mm
r min.	4 mm
r1 min.	4 mm
da min.	196 mm
Da max.	364 mm
db max.	226 mm
db min	196 mm
ra max.	3 mm
rb max.	3 mm
S	2,2 mm
Db max	364 mm
Weight	44 Kg
Basic dynamic load rating (C)	985 kN
Basic static load rating (C0)	1230 kN
(Grease) Lubrication Speed	1500 r/min
hidYobi	NUP336EM
LangID	1



BEARING-MALAYSIA SDN.BHD.

D_	380
Macha rpm	2800
B_	75
hidTable	ecat_NSCLDR
Oil rpm	1800
rb	3
mass	44.6
GRS rpm	1500
ra	3
db max	226
TSR rpm	1700
C0	1230
DE_	335
Prod_Type3	CRB_SR_NUP
da	196
DA_	52
Z_	14
D_a max	364
yobi	NUP336EM
dd min	255
C_conv	985000
ALPHA_	0
SDM_	283
r	4
dc min	235
KBRG	4165
SBRG	3
r1	4
DI_	231