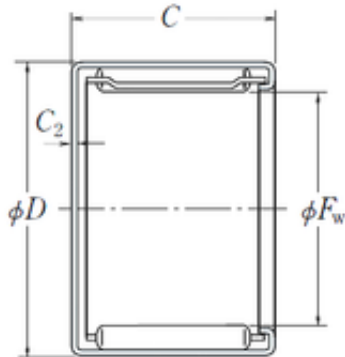




# BEARING-MALAYSIA SDN.BHD.

## NSK MFJ-2216 needle roller bearings



Bearing No. MFJ-2216

Size	22x28x16 mm
Bore Diameter	22 mm
Outer Diameter	28 mm
Width	16 mm
Fw	22 mm
D	28 mm
C	16 mm
C1	1 mm
Weight	0,022 Kg
Basic dynamic load rating (C)	12600 kN
(Grease) Lubrication Speed	9000 r/min
NB-DI	0
NA-DEX	0
hidYobi	MFJ-2216
LangID	1
D_	28
NC-SLR	0
B_	16.5
n_yobi	FIR-172216
hidTable	ecat_NSDCNR
d1	17
GRS rpm	9000
ra	0.3
NC-SLR1	0
C0	19.347
Prod_Type3	NRB_DC_FJ-

MFJ-2216 Bearing 2D drawings and 3D CAD models



## BEARING-MALAYSIA SDN.BHD.

	MFJ_WC_CT
da	19
d	17
NC-RAC	0
Pmax	8350
N-SDM	0
yobi	MFJ-2216
C1_C2	1
ND-Z	0
OIL rpm	14000
NC-DA	0
mass_i	22
NC-KMS	0
B1	16.5