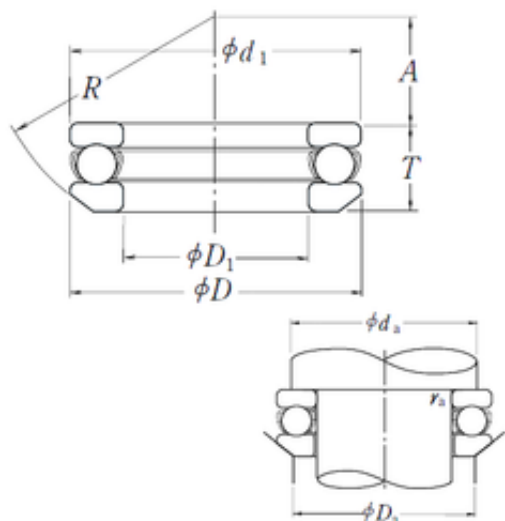




## BEARING-MALAYSIA SDN.BHD.



### NSK 53407 thrust ball bearings

Bearing No. 53407

Size	35x80x34 mm
Bore Diameter	35 mm
Outer Diameter	80 mm
Width	34 mm
d	35 mm
D	80 mm
T	34 mm
d1	80 mm
r min.	1,1 mm
A	23 mm
D1	37 mm
R	64 mm
da min.	62 mm
Da max.	53 mm
ra max.	1 mm
Weight	0,785 Kg
Basic dynamic load rating (C)	87,5 kN
Basic static load rating (C0)	155 kN
(Grease) Lubrication Speed	2000 r/min
Category	Thrust Ball Bearing
Inventory	0.0
Manufacturer Name	NSK
Minimum Buy Quantity	N/A
Weight / Kilogram	0.96
Product Group	B00308
Rolling Element	Ball Bearing

53407 Bearing 2D drawings and 3D CAD models



## BEARING-MALAYSIA SDN.BHD.

Thrust Bearing	Yes
Single or Double Direction	Single Direction
Banded	No
Cage Material	Steel
Precision Class	Non-Precision
Component Description	Roller Assembly Plus Raceways
Other Features	Single Row   With Aligning Seat
Long Description	35MM Bore 1; 37MM Bore 2; 80MM Outside Diameter; 34MM Height; Ball Bearing; Single Direction; Not Banded; Steel Cage; Non-Precision
Inch - Metric	Metric
Category	Thrust Ball Bearings
UNSPSC	31171552
Harmonized Tariff Code	8482.10.50.08
Noun	Bearing
Keyword String	Ball Thrust
Manufacturer URL	<a href="http://www.nskamericas.com">http://www.nskamericas.com</a>
Weight / LBS	1.73063
Overall Height with Aligning Washer	0 Inch   0 Millimeter
Bore 2	1.457 Inch   37 Millimeter
Bore 1	1.378 Inch   35 Millimeter
Outside Diameter	3.15 Inch   80 Millimeter
Height	1.339 Inch   34 Millimeter
SRI	8.57
hidYobi	53407
LangID	1
D_	80
SREX	0.065



## BEARING-MALAYSIA SDN.BHD.

C	87.5
B_	34
hidTable	ecat_NSSDTB
Oil rpm	3000
SRE	8.57
mass	0.785
GRS rpm	2000
ra	1
SRIX	0.065
D_a	53
SRIN	0
C0	155
SREN	0
D_1	37
Prod_Type3	TB_SD_WAS
da	62
DA_	15.875
Z_	10
yobi	53407
A_	23
T3	34
SDM_	57.5
r	1.1
KBRG	5121
R_	64