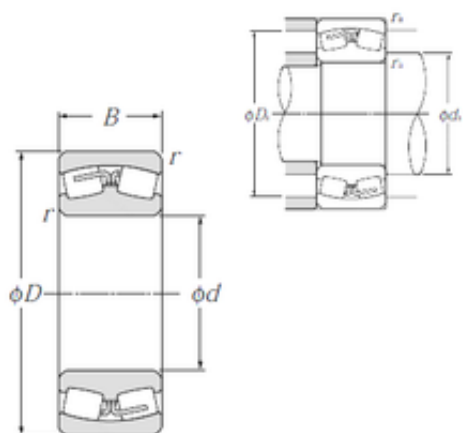




BEARING-MALAYSIA SDN.BHD.

560 mm x 920 mm x 280 mm NTN 231/560B
spherical roller bearings



Bearing No. 231/560B

| | |
|-------------------------------|----------------|
| Size | 560x920x280 mm |
| Bore Diameter | 560 mm |
| Outer Diameter | 920 mm |
| Width | 280 mm |
| d | 560 mm |
| D | 920 mm |
| B | 280 mm |
| C | 280 mm |
| r min. | 7,5 mm |
| da min. | 596 mm |
| Da max. | 884 mm |
| ra max. | 6 mm |
| Weight | 752 Kg |
| Basic dynamic load rating (C) | 7 650 kN |
| Basic static load rating (C0) | 15 500 kN |
| (Grease) Lubrication Speed | 280 r/min |
| (Oil) Lubrication Speed | 370 r/min |
| Calculation factor (e) | 0,3 |
| Calculation factor (Y0) | 2,22 |
| Calculation factor (Y1) | 2,27 |
| d2 | 678.5 mm |
| D1 | 800.8 mm |
| rs min | 7.5 mm |
| Number of lubrication holes | 8 |
| b | 33 mm |

231/560B Bearing 2D drawings and 3D CAD models



BEARING-MALAYSIA SDN.BHD.

| | |
|---|-----------|
| k | 20 mm |
| e | 0.3 |
| Y1 | 2.27 |
| Y2 | 3.38 |
| Y0 | 2.22 |
| Radial clearance class | CN |
| Dynamic load, C | 7,650 kN |
| Static load, C0 | 15,500 kN |
| Fatigue limit load, Cu | 892 kN |
| Nref | 310 rpm |
| Nlim | 560 rpm |
| Min operating temperature, Tmin | -40 ° C |
| Max operating temperature, Tmax | 120 ° C |
| Characteristic cage frequency, FTF | 0.44 Hz |
| Characteristic rolling element frequency, BSF | 8.56 Hz |
| Characteristic outer ring frequency, BPF0 | 10.2 Hz |
| Characteristic inner ring frequency, BRFI | 12.8 Hz |
| da min | 592 mm |
| Da max | 888 mm |
| ra max | 6 mm |