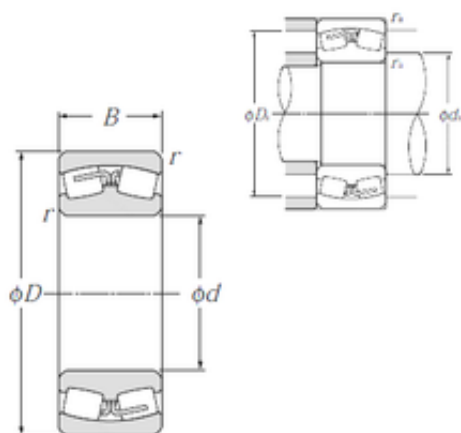




## BEARING-MALAYSIA SDN.BHD.

380 mm x 560 mm x 135 mm NTN 23076B  
spherical roller bearings



Bearing No. 23076B

23076B Bearing 2D drawings and 3D CAD models

Size	380x560x135 mm
Bore Diameter	380 mm
Outer Diameter	560 mm
Width	135 mm
d	380 mm
D	560 mm
B	135 mm
C	135 mm
r min.	5 mm
da min.	402 mm
Da max.	538 mm
ra max.	4 mm
Weight	115 Kg
Basic dynamic load rating (C)	2 510 kN
Basic static load rating (C0)	5 150 kN
(Grease) Lubrication Speed	550 r/min
(Oil) Lubrication Speed	720 r/min
Calculation factor (e)	0,24
Calculation factor (Y0)	2,8
Calculation factor (Y1)	2,87
Category	Bearings
Inventory	0.0
Manufacturer Name	NTN
Minimum Buy Quantity	N/A
Weight / Kilogram	127



# BEARING-MALAYSIA SDN.BHD.

Product Group	B04311
---------------	--------