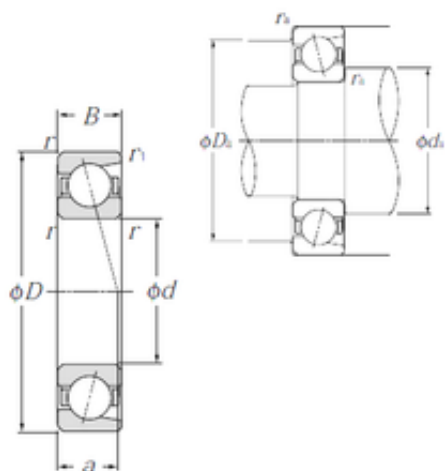




BEARING-MALAYSIA SDN.BHD.

190 mm x 290 mm x 46 mm NTN 7038 angular contact ball bearings



Bearing No. 7038

Size	190x290x46 mm
Bore Diameter	190 mm
Outer Diameter	290 mm
Width	46 mm
d	190 mm
D	290 mm
B	46 mm
C	46 mm
Angle (°)	25 °
a	92,5 mm
r min.	2,1 mm
r1 min.	1,1 mm
da min.	202 mm
ra max.	2 mm
Weight	10,8 Kg
Basic dynamic load rating (C)	224 kN
Basic static load rating (C0)	280 kN
(Grease) Lubrication Speed	2 200 r/min

7038 Bearing 2D drawings and 3D CAD models