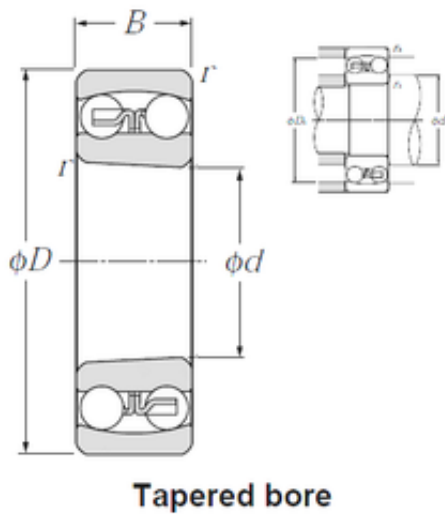




BEARING-MALAYSIA SDN.BHD.



55 mm x 100 mm x 25 mm NTN 2211SK self aligning ball bearings

Bearing No. 2211SK

Size	55x100x25 mm
Bore Diameter	55 mm
Outer Diameter	100 mm
Width	25 mm
d	55 mm
D	100 mm
B	25 mm
C	25 mm
r min.	1,5 mm
da min.	63 mm
Da max.	92 mm
ra max.	1,5 mm
Weight	0,746 Kg
Basic dynamic load rating (C)	26,7 kN
Basic static load rating (C0)	9,9 kN
(Grease) Lubrication Speed	6 000 r/min
(Oil) Lubrication Speed	7 100 r/min
Calculation factor (e)	0,28
Calculation factor (Y0)	2,4
Calculation factor (Y1)	2,3
rs min	1.5 mm
Associated sleeve reference	H311X
e	0.28
Y1	2.3
Y2	3.5

2211SK Bearing 2D drawings and 3D CAD models



BEARING-MALAYSIA SDN.BHD.

Y0	2.4
Radial clearance class	CN
Precision class	P0
Mass	0.75 kg
Dynamic load, C	26.7 kN
Static load, C0	9.9 kN
Nlim (oil)	7,100 rpm
Nlim (grease)	6,000 rpm
Min operating temperature, Tmin	-20 ° C
Max operating temperature, Tmax	120 ° C
da min	63 mm
da max	69 mm
db min	60 mm
Ce min	11 mm
Da max	92 mm
ra max	1.5 mm