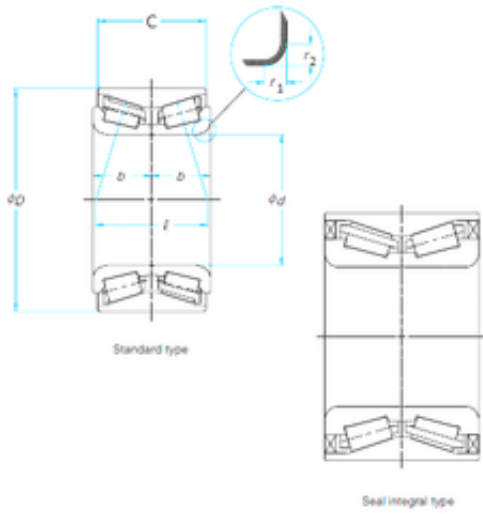




BEARING-MALAYSIA SDN.BHD.



55 mm x 90 mm x 54 mm SKF BTH-1215AD tapered roller bearings

Bearing No. BTH-1215AD

Size	55x90x54 mm
Bore Diameter	55 mm
Outer Diameter	90 mm
Width	54 mm
d	55 mm
D	90 mm
B	54 mm

BTH-1215AD Bearing 2D drawings and 3D CAD models