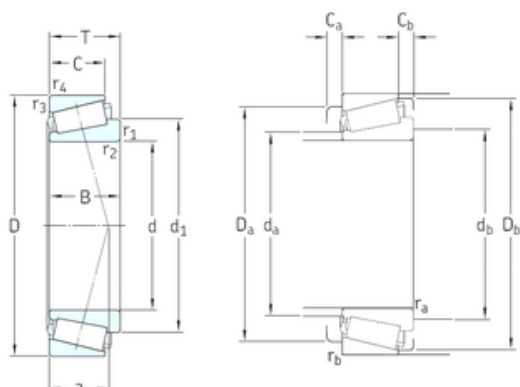




## BEARING-MALAYSIA SDN.BHD.



75 mm x 130 mm x 31 mm SKF 32215J2/Q  
tapered roller bearings

Bearing No. 32215J2/Q

Size	75x130x33.25 mm
Bore Diameter	75 mm
Outer Diameter	130 mm
Width	33,25 mm
d	75 mm
D	130 mm
T	33,25 mm
B	31 mm
C	27 mm
a	29 mm
d1	100 mm
r1 min.	2 mm
r2 min.	2 mm
r3 min.	1,5 mm
r4 min.	1,5 mm
Ca min.	4 mm
Cb min.	6 mm
da max	85 mm
Da min	115 mm
Da max.	121 mm
db min	84 mm
Db min.	124 mm
ra max.	2 mm
rb max.	1,5 mm
Weight	1,65 Kg

32215J2/Q Bearing 2D drawings and 3D CAD models



## BEARING-MALAYSIA SDN.BHD.

Basic dynamic load rating (C)	161 kN
Basic static load rating (C0)	212 kN
Fatigue load limit (Pu)	24,5
Reference speed	3600 r/min
Limiting speed	5000 r/min
Calculation factor (e)	0,43
Calculation factor (Y)	1,4