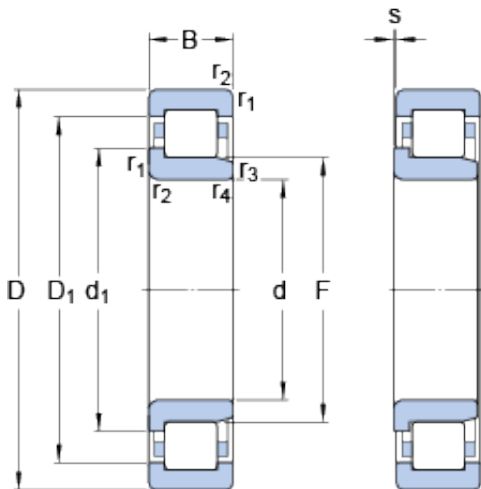




BEARING-MALAYSIA SDN.BHD.



95 mm x 200 mm x 67 mm SKF NJ 2319 ECJ
thrust ball bearings

Bearing No. NJ 2319 ECJ

Size	200x95x67 mm
Bore Diameter	200 mm
Outer Diameter	95 mm
Width	67 mm
d	95 mm
D	200 mm
B	67 mm
d ₁	132 mm
D ₁	168.3 mm
F	121.5 mm
r _{1,2} - min.	3 mm
r _{3,4} - min.	3 mm
s	6.9 mm
d _a - min.	110 mm
d _a - max.	118 mm
d _b - min.	135 mm
D _a - max.	185 mm
r _a - max.	2.5 mm
Basic dynamic load rating - C	530 kN
Basic static load rating - C ₀	585 kN
Fatigue load limit - P _u	69.5 kN
Reference speed	3600 r/min
Limiting speed	4300 r/min
Calculation factor - k _r	0.25

NJ 2319 ECJ Bearing 2D drawings and 3D CAD models



BEARING-MALAYSIA SDN.BHD.

Category	Cylindrical Roller Bearings
Inventory	0.0
Manufacturer Name	SKF
Minimum Buy Quantity	N/A
Weight / Kilogram	9.707
Product Group	B04144
Bore Profile	Straight
Cage Material	Steel
Precision Class	RBEC 1 ISO P0
Number of Rows of Rollers	Single Row
Separable	Inner Ring - One Side
Rolling Element	Cylindrical Roller Bearing
Profile	Complete with Outer and Inner Ring
Snap Ring	No
Internal Clearance	C0-Medium
Retainer	Yes
Relubricatable	Yes
Inch - Metric	Metric
Other Features	High Capacity 1 Rib Inner Ring 2 Rib Outer Ring Cage on Outer Ring ID
Long Description	95MM Bore; Straight Bore Profile; 200MM Outside Diameter; 67MM Width; Steel Cage Material; RBEC 1 ISO P0; Single Row; Inner Ring - One Side Separable; No Snap Ring; Relubricatable; C0-Medium Intern
Category	Cylindrical Roller Bearing
UNSPSC	31171547
Harmonized Tariff Code	8482.50.00.00
Noun	Bearing
Manufacturer URL	http://www.skf.com



BEARING-MALAYSIA SDN.BHD.

Manufacturer Item Number	NJ 2319 ECJ
Weight / LBS	21.38
Outside Diameter	7.874 Inch 200 Millimeter
Bore	3.74 Inch 95 Millimeter
Width	2.638 Inch 67 Millimeter
d_1	132 mm
D_1	168.25 mm
$r_{1,2}$ min.	3 mm
$r_{3,4}$ min.	3 mm
s max.	6.9 mm
d_a min.	110 mm
d_a max.	118 mm
d_b min.	135 mm
D_a max.	185 mm
r_a max.	2.5 mm
Basic dynamic load rating C	530 kN
Basic static load rating C_0	585 kN
Fatigue load limit P_u	69.5 kN
Calculation factor k_r	0.25
Limiting value e	0.3
Axial load factor Y	0.4
Mass bearing	9.55 kg