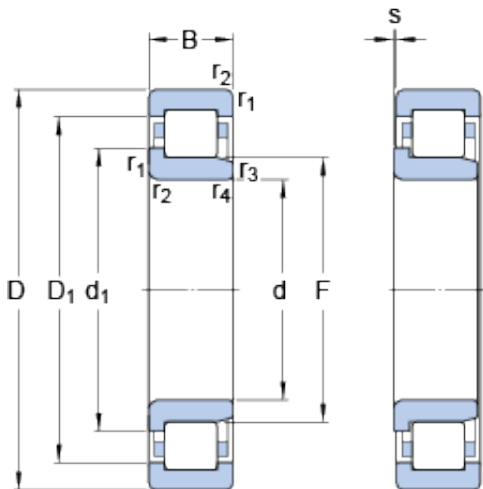




## BEARING-MALAYSIA SDN.BHD.



### 65 mm x 120 mm x 23 mm SKF NJ 213 ECP thrust ball bearings

Bearing No. NJ 213 ECP

Size	120x65x23 mm
Bore Diameter	120 mm
Outer Diameter	65 mm
Width	23 mm
d	65 mm
D	120 mm
B	23 mm
d <sub>1</sub>	84.4 mm
D <sub>1</sub>	103.2 mm
F	78.5 mm
r <sub>1,2</sub> - min.	1.5 mm
r <sub>3,4</sub> - min.	1.5 mm
s	1.4 mm
d <sub>a</sub> - min.	74 mm
d <sub>a</sub> - max.	76 mm
d <sub>b</sub> - min.	87 mm
D <sub>a</sub> - max.	110.6 mm
r <sub>a</sub> - max.	1.5 mm
Basic dynamic load rating - C	122 kN
Basic static load rating - C <sub>0</sub>	118 kN
Fatigue load limit - P <sub>u</sub>	15.6 kN
Reference speed	6300 r/min
Limiting speed	6700 r/min
Calculation factor - k <sub>r</sub>	0.15

NJ 213 ECP Bearing 2D drawings and 3D CAD models



## BEARING-MALAYSIA SDN.BHD.

Category	Cylindrical Roller Bearings
Inventory	0.0
Manufacturer Name	SKF
Minimum Buy Quantity	N/A
Weight / Kilogram	1.094
Product Group	B04144
Bore Profile	Straight
Cage Material	Polymer
Precision Class	RBEC 1   ISO P0
Number of Rows of Rollers	Single Row
Separable	Inner Ring - One Side
Rolling Element	Cylindrical Roller Bearing
Profile	Complete with Outer and Inner Ring
Snap Ring	No
Internal Clearance	C0-Medium
Retainer	Yes
Relubricatable	Yes
Inch - Metric	Metric
Other Features	High Capacity   1 Rib Inner Ring   2 Rib Outer Ring   Cage on Outer Ring ID
Long Description	65MM Bore; Straight Bore Profile; 120MM Outside Diameter; 23MM Width; Polymer Cage Material; RBEC 1   ISO P0; Single Row; Inner Ring - One Side Separable; No Snap Ring; Relubricatable; C0-Medium Inte
Category	Cylindrical Roller Bearing
UNSPSC	31171547
Harmonized Tariff Code	8482.50.00.00
Noun	Bearing
Manufacturer URL	<a href="http://www.skf.com">http://www.skf.com</a>



## BEARING-MALAYSIA SDN.BHD.

Manufacturer Item Number	NJ 213 ECP
Weight / LBS	2.41
Bore	2.559 Inch   65 Millimeter
Width	0.906 Inch   23 Millimeter
Outside Diameter	4.724 Inch   120 Millimeter
bore diameter:	65 mm
static load capacity:	118 kN
outside diameter:	120 mm
precision rating:	Not Rated
overall width:	23 mm
maximum rpm:	6700 RPM
flanges:	(2) Outer Ring, (1) Inner Ring
bearing material:	Steel
bore type:	Straight
cage material:	Polyamide
number of rows:	1
finish/coating:	Uncoated
internal clearance:	C0
closure type:	Open
ring separation:	Separable Ring
outer ring width:	23 mm
operating temperature range:	Maximum of +300 ° F
fillet radius:	1.5 mm
dynamic load capacity:	122 kN
series:	NJ2
$d_1$	84.4 mm
$D_1$	103.2 mm
$r_{1,2}$ min.	1.5 mm
$r_{3,4}$ min.	1.5 mm
s max.	1.4 mm
$d_a$ min.	74 mm



## BEARING-MALAYSIA SDN.BHD.

$d_a$ max.	76 mm
$d_b$ min.	87 mm
$D_a$ max.	110.6 mm
$r_a$ max.	1.5 mm
Basic dynamic load rating C	122 kN
Basic static load rating $C_0$	118 kN
Fatigue load limit $P_u$	15.6 kN
Calculation factor $k_r$	0.15
Limiting value e	0.2
Axial load factor Y	0.6
Mass bearing	1.06 kg