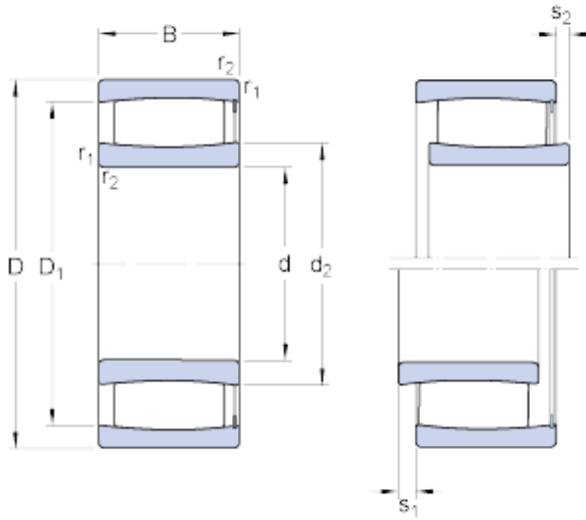




## BEARING-MALAYSIA SDN.BHD.



### 25 mm x 52 mm x 18 mm SKF C 2205 V cylindrical roller bearings

Bearing No. C 2205 V

C 2205 V Bearing 2D drawings and 3D CAD models

Size	52x25x18 mm
Bore Diameter	52 mm
Outer Diameter	25 mm
Width	18 mm
d	25 mm
D	52 mm
B	18 mm
d <sub>2</sub>	33.2 mm
D <sub>1</sub>	43.8 mm
s <sub>1</sub>	5.8 mm
s <sub>2</sub>	2.8 mm
r <sub>1,2</sub> - min.	1 mm
d <sub>a</sub> - min.	30.6 mm
d <sub>a</sub> - max.	40 mm
D <sub>a</sub> - max.	46.4 mm
r <sub>a</sub> - max.	1 mm
Basic dynamic load rating - C	50 kN
Basic static load rating - C <sub>0</sub>	49 kN
Fatigue load limit - P <sub>u</sub>	5.7 kN
Limiting speed	7000 r/min
Factor - k <sub>1</sub>	0.09
Factor - k <sub>2</sub>	0.135