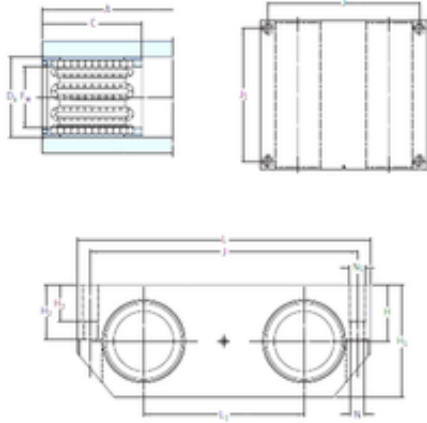




BEARING-MALAYSIA SDN.BHD.



SKF LQBR 25-2LS linear bearings

Bearing No. LQBR 25-2LS

Bore Diameter	25 mm
Fw	25 mm
H3	18 mm
Da	35 mm
A	100 mm
C	40 mm
H	25 mm
H1	50 mm
H2	24 mm
J	123 mm
L	136 mm
L1	75 mm
N	6,6 mm
J1	87 mm
Thread (N1)	M8
Weight	1,43 Kg
Basic dynamic load rating (C)	5,6 kN

LQBR 25-2LS Bearing 2D drawings and 3D CAD models