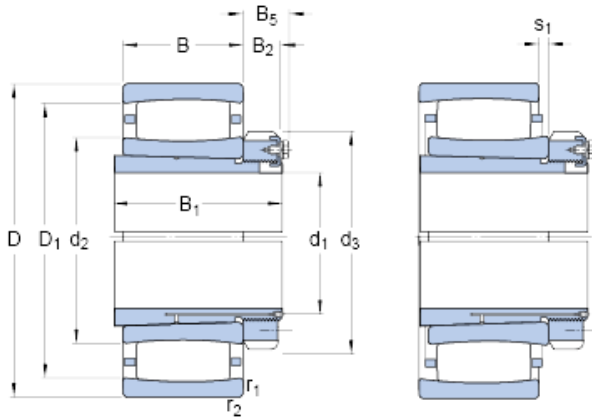




# BEARING-MALAYSIA SDN.BHD.



## SKF C 30/530 KM + OH 30/530 H cylindrical roller bearings

Bearing No. C 30/530 KM + OH 30/530 H

C 30/530 KM + OH 30/530 H Bearing 2D drawings and 3D CAD models

|                               |                |
|-------------------------------|----------------|
| Size                          | 780x500x265 mm |
| Bore Diameter                 | 780 mm         |
| Outer Diameter                | 500 mm         |
| Width                         | 265 mm         |
| $d_1$                         | 500 mm         |
| D                             | 780 mm         |
| $B_1$                         | 265 mm         |
| $d_2$                         | 601 mm         |
| $d_3$                         | 630 mm         |
| $D_1$                         | 705 mm         |
| B                             | 185 mm         |
| $B_2$                         | 68 mm          |
| $B_5$                         | 90 mm          |
| $s_1$                         | 35.7 mm        |
| $r_{1,2}$ - min.              | 6 mm           |
| $d_a$ - max.                  | 638 mm         |
| $d_b$ - min.                  | 551 mm         |
| $D_a$ - min.                  | 681 mm         |
| $D_a$ - max.                  | 757 mm         |
| $B_a$ - min.                  | 20 mm          |
| $C_a$ - min.                  | 2.5 mm         |
| $r_a$ - max.                  | 5 mm           |
| Basic dynamic load rating - C | 5100 kN        |
|                               |                |



## BEARING-MALAYSIA SDN.BHD.

|                                     |           |
|-------------------------------------|-----------|
| Basic static load rating - $C_0$    | 9500 kN   |
| Fatigue load limit - $P_u$          | 630 kN    |
| Reference speed                     | 600 r/min |
| Limiting speed                      | 800 r/min |
| Factor - $k_1$                      | 0.12      |
| Factor - $k_2$                      | 0.101     |
| $d_1$                               | 500 mm    |
| $B_1$                               | 265 mm    |
| $d_2$                               | 601 mm    |
| $d_3$                               | 630 mm    |
| $D_1$                               | 705 mm    |
| $B_2$                               | 68 mm     |
| $B_5$                               | 90 mm     |
| $s_1$ max.                          | 35.7 mm   |
| $r_{1,2}$ min.                      | 6 mm      |
| $d_a$ max.                          | 638 mm    |
| $d_b$ min.                          | 551 mm    |
| $D_a$ min.                          | 681 mm    |
| $D_a$ max.                          | 757 mm    |
| $B_a$ min.                          | 20 mm     |
| $C_a$ min.                          | 2.5 mm    |
| $r_a$ max.                          | 5 mm      |
| Basic dynamic load rating C         | 5100 kN   |
| Basic static load rating $C_0$      | 9500 kN   |
| Fatigue load limit $P_u$            | 630 kN    |
| Misalignment factor $k_1$           | 0.12      |
| Operating clearance factor<br>$k_2$ | 0.101     |
| Mass bearing + sleeve               | 390 kg    |