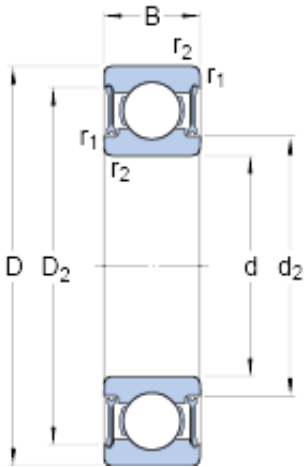




BEARING-MALAYSIA SDN.BHD.



9 mm x 24 mm x 7 mm SKF W 609-2RZ deep groove ball bearings

Bearing No. W 609-2RZ

W 609-2RZ Bearing 2D drawings and 3D CAD models

Size	24x9x7 mm
Bore Diameter	9 mm
Outer Diameter	9 mm
Width	7 mm
d	9 mm
D	24 mm
B	7 mm
d ₂	12.1 mm
D ₂	20.48 mm
r _{1,2} - min.	0.3 mm
D _a - max.	22 mm
r _a - max.	0.3 mm
Basic dynamic load rating - C	2 kN
Basic static load rating - C ₀	0.815 kN
Fatigue load limit - P _u	0.036 kN
Reference speed	70000 r/min
Limiting speed	36000 r/min
Calculation factor - k _r	0.03
Calculation factor - f ₀	7.5
d ₂	12.1 mm
D ₂	20.48 mm
r _{1,2} min.	0.3 mm
d _a min.	11 mm
d _a max.	12 mm



BEARING-MALAYSIA SDN.BHD.

D_a max.	22 mm
r_a max.	0.3 mm
Basic dynamic load rating C	2.03 kN
Basic static load rating C_0	0.815 kN
Fatigue load limit P_u	0.036 kN
Calculation factor k_r	0.03
Calculation factor f_0	7.5
Mass bearing	0.014 kg