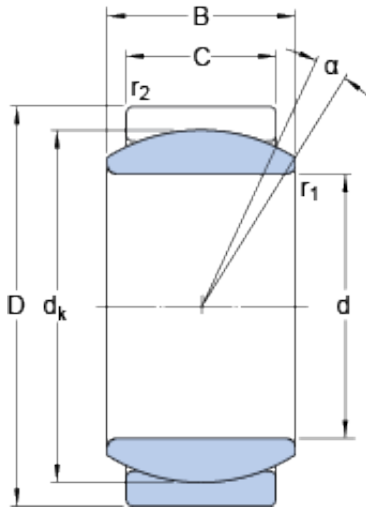




BEARING-MALAYSIA SDN.BHD.



GE 10 E Bearing 2D drawings and 3D CAD models

10 mm x 19 mm x 9 mm SKF GE 10 E plain bearings

Bearing No. GE 10 E

Size	19x10x9 mm
Bore Diameter	19 mm
Outer Diameter	10 mm
Width	9 mm
d	10 mm
D	19 mm
B	9 mm
C	6 mm
	12 °
dk	16 mm
r ₁ - min.	0.3 mm
r ₂ - min.	0.3 mm
d _a - min.	11.7 mm
d _a - max.	13.2 mm
D _a - min.	15.2 mm
D _a - max.	17.5 mm
r _a - max.	0.3 mm
r _b - max.	0.3 mm
Basic dynamic load rating - C	8.2 kN
Basic static load rating - C ₀	40.5 kN
Specific factor dynamic load - K	100 N/mm ²
Specific factor static load - K ₀	500 N/mm ²
Constant - K _M	330



BEARING-MALAYSIA SDN.BHD.

Category	Spherical Plain Bearings - Radial
Inventory	0.0
Manufacturer Name	SKF
Minimum Buy Quantity	N/A
Weight / Kilogram	0.01
Product Group	B04264
Self Aligning	Yes
Rolling Element	Spherical Plain
Material - Outer Member	Steel
Material - Ball	Steel
Material - Liner	Not Applicable
Relubricatable	Yes
Enclosure	Open
Other Features	2 Piece Side Lubrication Only
Long Description	10MM Bore; 6MM Housing Width; 19MM Outside Diameter; Spherical Plain; Steel Outer Member; Steel Ball; No Liner; 9MM Overall Width; Relubricatable
Inch - Metric	Metric
Category	Plain Bearings Spherical Radial
UNSPSC	31171515
Harmonized Tariff Code	8483.30.80.70
Noun	Bearing
Keyword 3	Spherical
Keyword String	Plain Spherical Radial
Manufacturer URL	http://www.skf.com
Manufacturer Item Number	GE 10 E
Weight / LBS	0.026
Outside Diameter	0.748 Inch 19 Millimeter



BEARING-MALAYSIA SDN.BHD.

Overall Width	0.354 Inch 9 Millimeter
Bore	0.394 Inch 10 Millimeter
Housing Width	0.236 Inch 6 Millimeter
bore diameter:	10 mm
inner ring material:	Chrome Steel
outside diameter:	19 mm
outer ring width:	6 mm
misalignment angle:	12 °
grade:	Commercial/Industrial
inner ring width:	9 mm
overall width:	9 mm
bearing type:	Radial
radial static load capacity:	40.5 kN
lubrication type:	Requires Lubrication
radial dynamic load capacity:	8.15 kN
closure type:	Open
operating temperature range:	-50 to +200 ° C ° F
outer ring material:	Chrome Steel
manufacturer upc number:	7316576609183
Lubricant	Regular relubrication – grease
Design (sliding contact surface combination)	Steel/steel
Sealing solution	-
	12 °
d_k	16 mm
r_1 min.	0.3 mm
r_2 min.	0.3 mm
d_a min.	11.7 mm
d_a max.	13.2 mm
D_a min.	15.2 mm



BEARING-MALAYSIA SDN.BHD.

D_a max.	17.5 mm
r_a max.	0.3 mm
r_b max.	0.3 mm
Basic dynamic load rating C	8.15 kN
Basic static load rating C_0	40.5 kN
Specific dynamic load factor K	100 N/mm ²
Specific static load factor K_0	500 N/mm ²
Material constant K_M	330
Mass plain bearing	0.012 kg