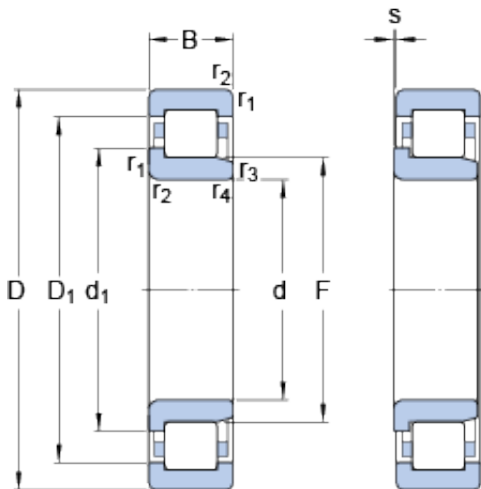




BEARING-MALAYSIA SDN.BHD.



120 mm x 215 mm x 40 mm SKF NJ 224 ECP
thrust ball bearings

Bearing No. NJ 224 ECP

NJ 224 ECP Bearing 2D drawings and 3D CAD models

Size	215x120x40 mm
Bore Diameter	215 mm
Outer Diameter	120 mm
Width	40 mm
d	120 mm
D	215 mm
B	40 mm
d ₁	153 mm
D ₁	186.55 mm
F	143.5 mm
r _{1,2} - min.	2.1 mm
r _{3,4} - min.	2.1 mm
s	1.9 mm
d _a - min.	132 mm
d _a - max.	140 mm
d _b - min.	156 mm
D _a - max.	201.6 mm
r _a - max.	2 mm
Basic dynamic load rating - C	390 kN
Basic static load rating - C ₀	430 kN
Fatigue load limit - P _u	49 kN
Reference speed	3400 r/min
Limiting speed	3600 r/min
Calculation factor - k _r	0.15



BEARING-MALAYSIA SDN.BHD.

Category	Cylindrical Roller Bearings
Inventory	0.0
Manufacturer Name	SKF
Minimum Buy Quantity	N/A
Weight / Kilogram	5.951
Product Group	B04144
Bore Profile	Straight
Cage Material	Polymer
Precision Class	RBEC 1 ISO P0
Number of Rows of Rollers	Single Row
Separable	Inner Ring - One Side
Rolling Element	Cylindrical Roller Bearing
Profile	Complete with Outer and Inner Ring
Snap Ring	No
Internal Clearance	C0-Medium
Retainer	Yes
Relubricatable	Yes
Inch - Metric	Metric
Other Features	High Capacity 1 Rib Inner Ring 2 Rib Outer Ring Cage on Outer Ring ID
Long Description	120MM Bore; Straight Bore Profile; 215MM Outside Diameter; 40MM Width; Polymer Cage Material; RBEC 1 ISO P0; Single Row; Inner Ring - One Side Separable; No Snap Ring; Relubricatable; C0-Medium Int
Category	Cylindrical Roller Bearing
UNSPSC	31171547
Harmonized Tariff Code	8482.50.00.00
Noun	Bearing
Manufacturer URL	http://www.skf.com



BEARING-MALAYSIA SDN.BHD.

Manufacturer Item Number	NJ 224 ECP
Weight / LBS	13.107
Bore	4.724 Inch 120 Millimeter
Width	1.575 Inch 40 Millimeter
Outside Diameter	8.465 Inch 215 Millimeter
bore diameter:	120 mm
static load capacity:	430 kN
outside diameter:	215 mm
precision rating:	Not Rated
overall width:	40 mm
maximum rpm:	3600 RPM
flanges:	(2) Outer Ring, (1) Inner Ring
bearing material:	Steel
bore type:	Straight
cage material:	Polyamide
number of rows:	1
finish/coating:	Uncoated
internal clearance:	C0
closure type:	Open
ring separation:	Separable Ring
outer ring width:	40 mm
operating temperature range:	Maximum of +300 ° F
fillet radius:	2 mm
dynamic load capacity:	390 kN
series:	NJ2
d_1	153 mm
D_1	186.83 mm
$r_{1,2}$ min.	2.1 mm
$r_{3,4}$ min.	2.1 mm
s max.	1.9 mm
d_a min.	132 mm



BEARING-MALAYSIA SDN.BHD.

d_a max.	140 mm
d_b min.	156 mm
D_a max.	201.6 mm
r_a max.	2 mm
Basic dynamic load rating C	390 kN
Basic static load rating C_0	430 kN
Fatigue load limit P_u	49 kN
Calculation factor k_r	0.15
Limiting value e	0.2
Axial load factor Y	0.6
Mass bearing	5.86 kg