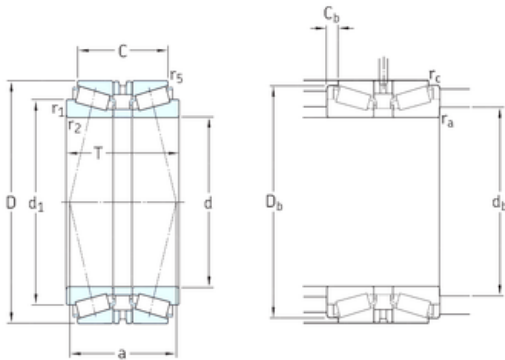




BEARING-MALAYSIA SDN.BHD.



SKF 32220T140J2/DB11 tapered roller bearings

Bearing No. 32220T140J2/DB11

Size	100x180x140 mm
Bore Diameter	100 mm
Outer Diameter	180 mm
Width	140 mm
d	100 mm
D	180 mm
T	140 mm
C	120 mm
a	124 mm
d1	136 mm
r1 min.	3 mm
r2 min.	3 mm
r5 min.	1 mm
Cb min.	10 mm
db min	112 mm
Db min.	171 mm
ra max.	2,5 mm
rc max.	1 mm
Weight	12,5 Kg
Basic dynamic load rating (C)	539 kN
Basic static load rating (C0)	880 kN
Fatigue load limit (Pu)	96,5
Reference speed	2200 r/min
Limiting speed	3600 r/min
Calculation factor (e)	0,43
Calculation factor (Y0)	1,6

32220T140J2/DB11 Bearing 2D drawings and 3D CAD models



BEARING-MALAYSIA SDN.BHD.

Calculation factor (Y1)	1,6
-------------------------	-----