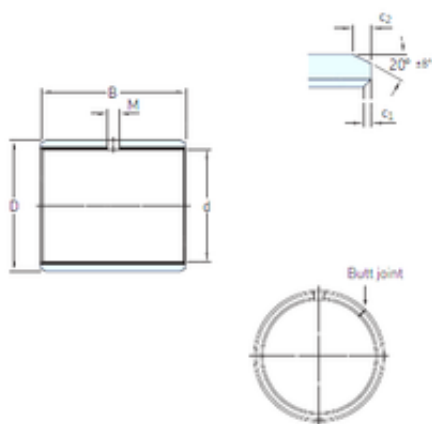




## BEARING-MALAYSIA SDN.BHD.

160 mm x 165 mm x 80 mm SKF PCM  
16016580 E plain bearings



Bearing No. PCM 16016580 E

Size	160x165x80 mm
Bore Diameter	160 mm
Outer Diameter	165 mm
Width	80 mm
d	160 mm
D	165 mm
B	80 mm
c1 min	0,2 mm
c2 min	1,2 mm
M	– mm
Weight	0,78 Kg
Basic dynamic load rating (C)	1 000 kN
Category	Plain Bearings
Inventory	0.0
Manufacturer Name	SKF
Minimum Buy Quantity	N/A
Weight / Kilogram	0.886
Product Group	B04264
bushing type:	Plain
series:	PCM
c <sub>1</sub> min.	0.2 mm
c <sub>1</sub> max.	1 mm
c <sub>2</sub> min.	1.2 mm
c <sub>2</sub> max.	2.4 mm
± 8	20 °

PCM 16016580 E Bearing 2D drawings and 3D CAD models



## BEARING-MALAYSIA SDN.BHD.

Tolerance shaft	h8
Tolerance housing	H7
Basic dynamic load rating - radial direction C	1000 kN
Basic static load rating - radial direction $C_0$	3150 kN
Specific dynamic load factor K	80 N/mm <sup>2</sup>
Specific static load factor $K_0$	250 N/mm <sup>2</sup>
Factor depending on material and bearing type $K_M$	480
Permissible sliding velocity v min.	0 m/s
Permissible sliding velocity v max.	2 m/s
Coefficient of friction $\mu$ min.	0.03
Coefficient of friction $\mu$ max.	0.25
Mass bushing	0.78 kg