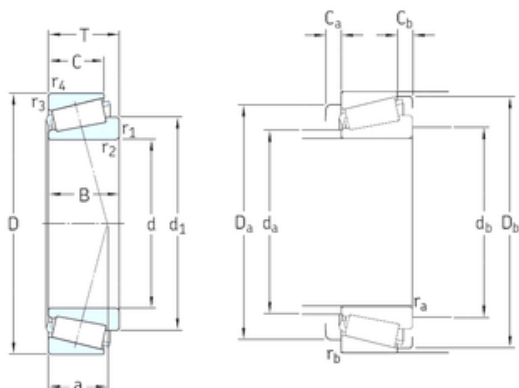




BEARING-MALAYSIA SDN.BHD.



80 mm x 160 mm x 41 mm SKF
T7FC080/QCL7C tapered roller bearings

Bearing No. T7FC080/QCL7C

T7FC080/QCL7C Bearing 2D drawings and 3D CAD models

Size	80x160x45 mm
Bore Diameter	80 mm
Outer Diameter	160 mm
Width	45 mm
d	80 mm
D	160 mm
T	45 mm
B	41 mm
C	31 mm
a	53 mm
d1	125 mm
r1 min.	3 mm
r2 min.	3 mm
r3 min.	3 mm
r4 min.	3 mm
Ca min.	5 mm
Cb min.	14 mm
da max	94 mm
Da min	121 mm
Da max.	146 mm
db min	92 mm
Db min.	152 mm
ra max.	2,5 mm
rb max.	2,5 mm
Weight	4 Kg



BEARING-MALAYSIA SDN.BHD.

Basic dynamic load rating (C)	229 kN
Basic static load rating (C0)	315 kN
Fatigue load limit (Pu)	35,5
Reference speed	2800 r/min
Limiting speed	4000 r/min
Calculation factor (e)	0,88
Calculation factor (Y)	0,68