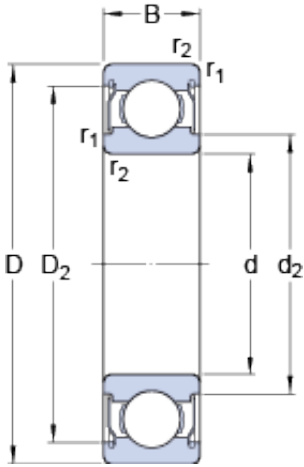




## BEARING-MALAYSIA SDN.BHD.



7.938 mm x 12.7 mm x 4.762 mm SKF D/W  
RW1810-2ZS deep groove ball bearings

Bearing No. D/W RW1810-2ZS

D/W RW1810-2ZS Bearing 2D drawings and 3D CAD models

|   |                     |
|---|---------------------|
| Size                                      | 12.7x7.938x4.762 mm |
| Bore Diameter                             | 12,7 mm             |
| Outer Diameter                            | 7,938 mm            |
| Width                                     | 4,762 mm            |
| d   | 7.938 mm            |
| D   | 12.7 mm             |
| B   | 4.762 mm            |
| d <sub>2</sub>                            | 9 mm                |
| D <sub>2</sub>                            | 11.55 mm            |
| r <sub>1,2</sub> - min.                   | 0.15 mm             |
| d <sub>a</sub> - min.                     | 8.9 mm              |
| D <sub>a</sub> - max.                     | 11.6 mm             |
| r <sub>a</sub> - max.                     | 0.15 mm             |
| Basic dynamic load rating - C             | 0.312 kN            |
| Basic static load rating - C <sub>0</sub> | 0.143 kN            |
| Fatigue load limit - P <sub>u</sub>       | 0.006 kN            |
| Reference speed                           | 100000 r/min        |
| Limiting speed                            | 50000 r/min         |
| Calculation factor - k <sub>r</sub>       | 0.015               |
| Calculation factor - f <sub>0</sub>       | 8.3                 |