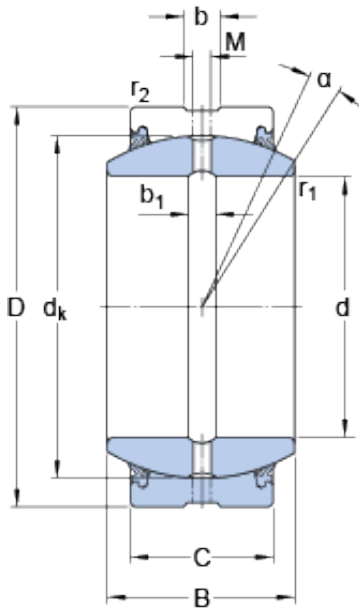




BEARING-MALAYSIA SDN.BHD.

160 mm x 230 mm x 105 mm SKF GE 160
ES-2RS plain bearings

Bearing No. GE 160 ES-2RS



GE 160 ES-2RS Bearing 2D drawings and 3D CAD models

Size	230x160x105 mm
Bore Diameter	230 mm
Outer Diameter	160 mm
Width	105 mm
d	160 mm
D	230 mm
B	105 mm
C	80 mm
	8 °
d _k	200 mm
b	13.5 mm
b ₁	13.5 mm
M	6 mm
r ₁ - min.	1 mm
r ₂ - min.	1 mm
d _a - min.	169.5 mm
d _a - max.	170 mm
D _a - min.	197 mm
D _a - max.	222 mm
r _a - max.	1 mm
r _b - max.	1 mm
Basic dynamic load rating - C	1370 kN
Basic static load rating - C ₀	6800 kN
Specific factor dinamic load - K	100 N/mm ²



BEARING-MALAYSIA SDN.BHD.

Specific factor static load - K_0	500 N/mm ²
Constant - K_M	330
Category	Spherical Plain Bearings - Radial
Inventory	0.0
Manufacturer Name	SKF
Minimum Buy Quantity	N/A
Weight / Kilogram	14.01
Product Group	B04264
Self Aligning	Yes
Rolling Element	Spherical Plain
Material - Outer Member	Steel
Material - Ball	Steel
Material - Liner	Not Applicable
Relubricatable	Yes
Enclosure	2 Seals
Other Features	2 Piece Double Lip Seals Lubrication Hole and an Annular Groove in Both Rings
Long Description	160MM Bore; 80MM Housing Width; 230MM Outside Diameter; Spherical Plain; Steel Outer Member; Steel Ball; No Liner; 105MM Overall Width; Relubricatable
Inch - Metric	Metric
Category	Plain Bearings Spherical Radial
UNSPSC	31171515
Harmonized Tariff Code	8483.30.80.70
Noun	Bearing
Keyword 3	Spherical



BEARING-MALAYSIA SDN.BHD.

Keyword String	Plain Spherical Radial
Manufacturer URL	http://www.skf.com
Manufacturer Item Number	GE 160 ES-2RS
Weight / LBS	30.865
Bore	6.299 Inch 160 Millimeter
Outside Diameter	9.055 Inch 230 Millimeter
Overall Width	4.134 Inch 105 Millimeter
Housing Width	3.15 Inch 80 Millimeter
bore diameter:	160 mm
inner ring material:	Chrome Steel
outside diameter:	230 mm
outer ring width:	80 mm
misalignment angle:	8 °
overall width:	105 mm
inner ring width:	105 mm
radial static load capacity:	6800 kN
bearing type:	Radial
radial dynamic load capacity:	1370 kN
lubrication type:	Requires Lubrication
operating temperature range:	-30 to +130 ° C ° F
closure type:	Sealed
manufacturer upc number:	7316577068934
outer ring material:	Chrome Steel
Lubricant	Regular relubrication – grease
Design (sliding contact surface combination)	Steel/steel
Sealing solution	Double-lip seals
	8 °
d_k	200 mm
b_1	13.5 mm



BEARING-MALAYSIA SDN.BHD.

r_1 min.	1 mm
r_2 min.	1 mm
d_a min.	169.5 mm
d_a max.	170 mm
D_a min.	197 mm
D_a max.	222 mm
r_a max.	1 mm
r_b max.	1 mm
Basic dynamic load rating C	1370 kN
Basic static load rating C_0	6800 kN
Specific dynamic load factor K	100 N/mm ²
Specific static load factor K_0	500 N/mm ²
Material constant K_M	330
Mass plain bearing	14 kg