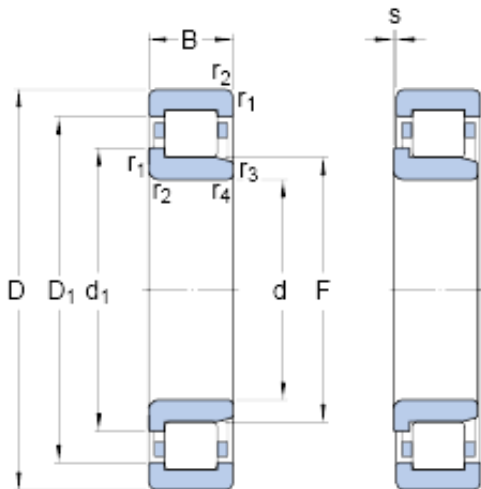




BEARING-MALAYSIA SDN.BHD.



75 mm x 130 mm x 31 mm SKF NJ 2215 ECPH thrust ball bearings

Bearing No. NJ 2215 ECPH

Size	130x75x31 mm
Bore Diameter	130 mm
Outer Diameter	75 mm
Width	31 mm
d	75 mm
D	130 mm
B	31 mm
d ₁	94.3 mm
D ₁	113.2 mm
F	88.5 mm
r _{1,2} - min.	1.5 mm
r _{3,4} - min.	1.5 mm
s	1.7 mm
d _a - min.	84 mm
d _a - max.	86 mm
d _b - min.	97 mm
D _a - max.	121.5 mm
r _a - max.	1.5 mm
Basic dynamic load rating - C	186 kN
Basic static load rating - C ₀	208 kN
Fatigue load limit - P _u	27 kN
Reference speed	5600 r/min
Limiting speed	6000 r/min
Calculation factor - k _r	0.2

NJ 2215 ECPH Bearing 2D drawings and 3D CAD models



BEARING-MALAYSIA SDN.BHD.

d_1	94.3 mm
D_1	113.2 mm
$r_{1,2}$ min.	1.5 mm
$r_{3,4}$ min.	1.5 mm
s max.	1.7 mm
d_a min.	84 mm
d_a max.	86 mm
d_b min.	97 mm
D_a max.	121.5 mm
r_a max.	1.5 mm
Basic dynamic load rating C	186 kN
Basic static load rating C_0	208 kN
Fatigue load limit P_u	27 kN
Calculation factor k_r	0.2
Limiting value e	0.3
Axial load factor Y	0.4
Mass bearing	1.62 kg