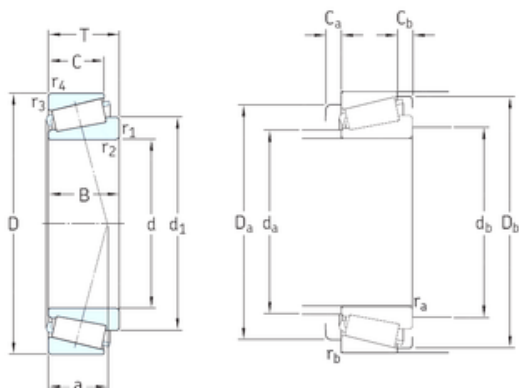




## BEARING-MALAYSIA SDN.BHD.



53,975 mm x 95,25 mm x 28,575 mm SKF  
33895/33822/Q tapered roller bearings

Bearing No. 33895/33822/Q

33895/33822/Q Bearing 2D drawings and 3D CAD models

Size	53.975x95.25x27.783 mm
Bore Diameter	53,975 mm
Outer Diameter	95,25 mm
Width	27,783 mm
d	53,975 mm
D	95,25 mm
T	27,783 mm
B	28,575 mm
C	22,225 mm
a	20 mm
d1	72,5 mm
r1 min.	1,5 mm
r2 min.	1,5 mm
r3 min.	0,8 mm
r4 min.	0,8 mm
Ca min.	6 mm
Cb min.	6,5 mm
da max	61 mm
Da min	83 mm
Da max.	88 mm
db min	61,5 mm
Db min.	90 mm
ra max.	1,5 mm
rb max.	0,8 mm
Weight	0,81 Kg



## BEARING-MALAYSIA SDN.BHD.

Basic dynamic load rating (C)	105 kN
Basic static load rating (C0)	137 kN
Fatigue load limit (Pu)	16
Reference speed	5300 r/min
Limiting speed	7500 r/min
Calculation factor (e)	0,33
Calculation factor (Y)	1,8