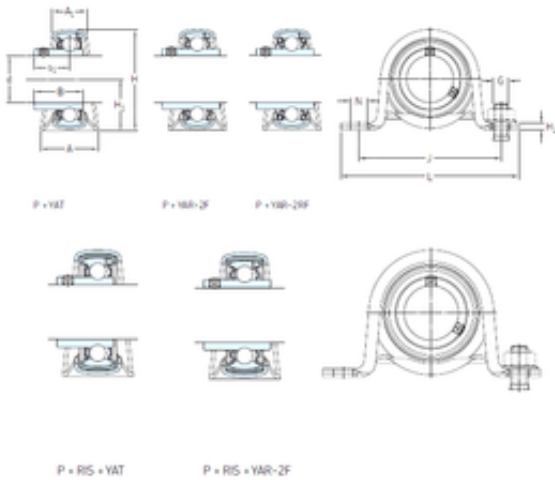




BEARING-MALAYSIA SDN.BHD.



SKF P 85 R-1.1/2 TF bearing units

Bearing No. P 85 R-1.1/2 TF

Bore Diameter	38,1 mm
d	38,1 mm
s1	30,2 mm
A	45 mm
A1	31 mm
B	49,2 mm
G	12 mm
H	92 mm
H1	46,4 mm
H2	6 mm
J	128 mm
L	156 mm
N	14 mm
Weight	1,1 Kg
Basic dynamic load rating (C)	30,7 kN
Basic static load rating (C0)	19 kN
Housing material	Pressed steel
A ₁	31 mm
B ₄	8 mm
H ₁	46.5 mm
H ₂	6 mm
s ₁	30.2 mm
Basic dynamic load rating C	30.7 kN
Basic static load rating C ₀	19 kN
Fatigue load limit P _u	0.8 kN
Permissible radial housing	4.2 kN

P 85 R-1.1/2 TF Bearing 2D drawings and 3D CAD models



BEARING-MALAYSIA SDN.BHD.

load max.	
Limiting speed	4800 r/min
Mass bearing unit	1.05 kg
Thread grub screw G ₂	5/16-24 UNF
Hexagonal key size for grub screw N	3.969 mm
Recommended tightening torque for grub screw	6.5 N · m
Recommended diameter for attachment bolts, mm G	12 mm
Recommended diameter for attachment bolts, inch G	0.5 in