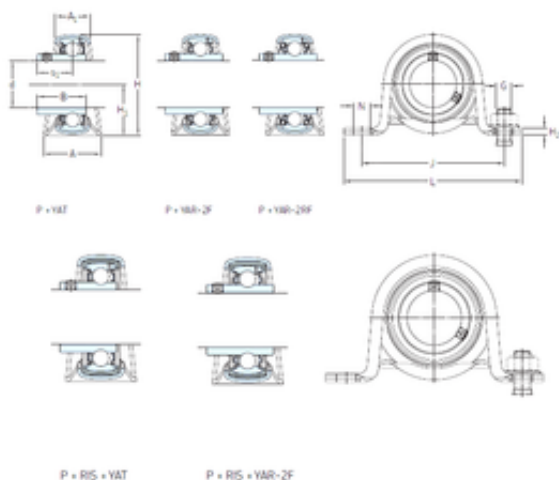




# BEARING-MALAYSIA SDN.BHD.



## SKF P 20 RM bearing units

Bearing No. P 20 RM

Bore Diameter	20 mm
d	20 mm
s1	18,3 mm
A	32 mm
A1	21 mm
B	25,5 mm
H	50 mm
H1	25,2 mm
H2	3 mm
J	76 mm
L	99 mm
N	9,6 mm
Thread (G)	8
Weight	0,19 Kg
Basic dynamic load rating (C)	12,7 kN
Basic static load rating (C0)	6,55 kN
Housing material	Pressed steel
A <sub>1</sub>	21 mm
B <sub>4</sub>	4.5 mm
H <sub>1</sub>	25.3 mm
H <sub>2</sub>	3 mm
s <sub>1</sub>	18.3 mm
Basic dynamic load rating C	12.7 kN
Basic static load rating C <sub>0</sub>	6.55 kN
Fatigue load limit P <sub>u</sub>	0.28 kN
Permissible radial housing	1.7 kN

P 20 RM Bearing 2D drawings and 3D CAD models



## BEARING-MALAYSIA SDN.BHD.

load max.	
Limiting speed	8500 r/min
Mass bearing unit	0.2 kg
Thread grub screw G <sub>2</sub>	M6x0.75
Hexagonal key size for grub screw N	3 mm
Recommended tightening torque for grub screw	4 N · m
Recommended diameter for attachment bolts, mm G	8 mm
Recommended diameter for attachment bolts, inch G	0.3125 in
Housing	P 47
Bearing	YAT 204