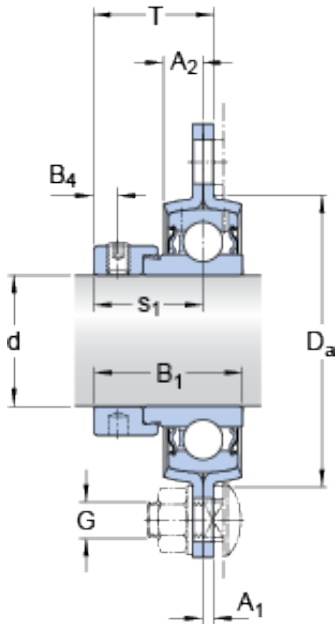




BEARING-MALAYSIA SDN.BHD.



PFD 20 FM Bearing 2D drawings and 3D CAD models

SKF PFD 20 FM bearing units

Bearing No. PFD 20 FM

Size	20x2x8 mm
Bore Diameter	20 mm
Outer Diameter	2 mm
Width	8 mm
d	20 mm
A ₁	2 mm
A ₂	8 mm
B	21.5 mm
B ₄	4.75 mm
D _a - min.	51 mm
J	71.4 mm
H	90 mm
H ₁	32 mm
H	8.7 mm
s ₁	24 mm
T	26 mm
Basic dynamic load rating - C	12.7 kN
Basic static load rating - C ₀	6.6 kN
Fatigue load limit - P _u	0.28 kN
Permissible radial housing load	max. 3.3 kN
Weight	0.29 kg
Thread - G ₂	M6x0.75
Hexagonal key size for grub screw - H	3 mm



BEARING-MALAYSIA SDN.BHD.

Housing material	Pressed steel
A ₁	2 mm
A ₂	8 mm
B ₄	4.75 mm
D _a min.	51 mm
H ₁	32 mm
N	8.7 mm
s ₁	23.5 mm
Basic dynamic load rating C	12.7 kN
Basic static load rating C ₀	6.55 kN
Fatigue load limit P _u	0.28 kN
Permissible radial housing load max.	3.3 kN
Mass unit	0.29 kg
Thread grub screw G ₂	M6x0.75
Hexagonal key size for grub screw N	3 mm
Recommended tightening torque for grub screw	4 N · m
Recommended diameter for attachment bolts, mm G	8 mm
Recommended diameter for attachment bolts, inch G	0.3125 in