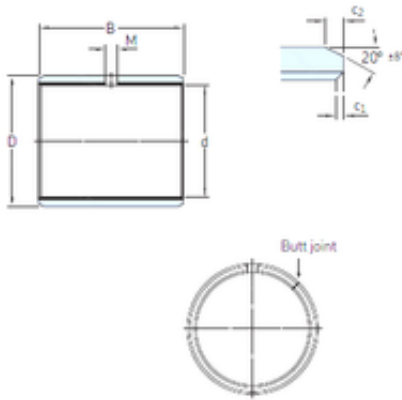




## BEARING-MALAYSIA SDN.BHD.



28,575 mm x 32,544 mm x 25,4 mm SKF PCZ  
1816 E plain bearings

Bearing No. PCZ 1816 E

PCZ 1816 E Bearing 2D drawings and 3D CAD models

Size	28.575x32.544x25.4 mm
Bore Diameter	28,575 mm
Outer Diameter	32,544 mm
Width	25,4 mm
d	28,575 mm
D	32,544 mm
B	25,4 mm
c1 min	0,1 mm
c2 min	0,8 mm
M	– mm
Weight	0,036 Kg
Basic dynamic load rating (C)	56 kN
c <sub>1</sub> min.	0.1 mm
c <sub>1</sub> max.	0.7 mm
c <sub>2</sub> min.	0.8 mm
c <sub>2</sub> max.	1.6 mm
± 8	20 °
Shaft diameter range min.	28.514 mm
Shaft diameter range max.	28.545 mm
Housing bore range min.	32.532 mm
Housing bore range max.	32.558 mm
Basic dynamic load rating - radial direction C	56 kN
Basic static load rating - radial direction C <sub>0</sub>	176 kN



## BEARING-MALAYSIA SDN.BHD.

Specific dynamic load factor $K$	80 N/mm <sup>2</sup>
Specific static load factor $K_0$	250 N/mm <sup>2</sup>
Factor depending on material and bearing type $K_M$	480
Permissible sliding velocity $v$ min.	0 m/s
Permissible sliding velocity $v$ max.	2 m/s
Coefficient of friction $\mu$ min.	0.03
Coefficient of friction $\mu$ max.	0.25
Mass bushing	0.036 kg