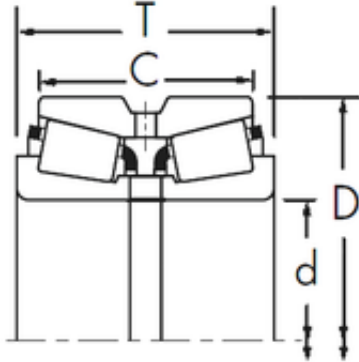




BEARING-MALAYSIA SDN.BHD.

Timken 389/384ED+X2S-389 tapered roller bearings



Bearing No. 389/384ED+X2S-389

Size	55.575x100x49.2 mm
Bore Diameter	55,575 mm
Outer Diameter	100 mm
Width	49,2 mm
d	55,575 mm
D	100 mm
T	49,2 mm
C	39,675 mm
R	2,3 mm
r	0,8 mm

389/384ED+X2S-389 Bearing 2D drawings and 3D CAD models