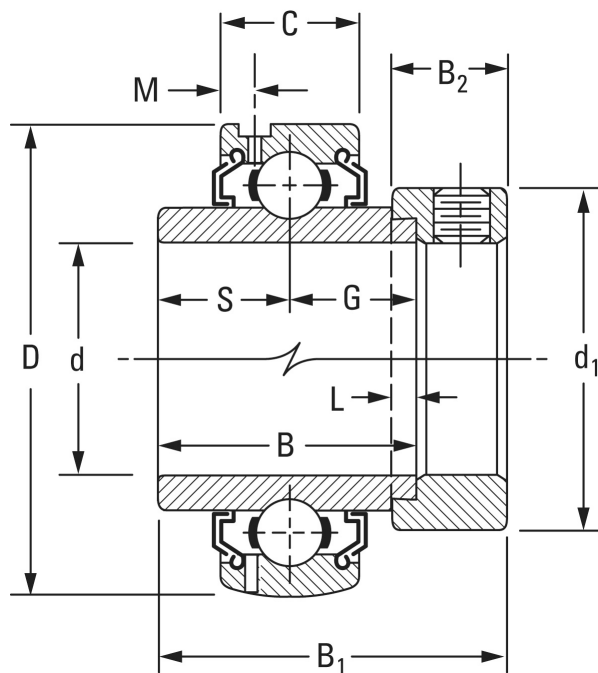




BEARING-MALAYSIA SDN.BHD.

17,4625 mm x 40 mm x 27,78 mm Timken
G1011KLL deep groove ball bearings



G1011KLL Bearing 2D drawings and 3D CAD models

Bearing No. G1011KLL

Shaft Size d	11/16 in
Bore Type	Cylindrical bore
Bearing Type	Ball Bearing
Material	Bearing Steel
Lubrication Type	Relubricatable
O.D. Type	Cylindrical OD
Dimension M	0.107 in
Dimension B2	0.531 in
Series	Industrial
Weight	0.50 lb
Sub Series	G1...KLL
Seal Type	Labyrinth Seal
Outside Diameter D	1.575 in
Inner Ring Width B	27.78 mm
Outside Ring Width C	12.000 mm
Radius r	0.6 mm
Center of Bearing from End S	13.9 mm
Dimension S1	23.4 mm
Set Screw Size	1/4-20
Number of Set Screws	2
Angle between Set Screws	90 °
Dimension B1	1.469 in
Static Load Rating	1070 lbf
Dynamic Load Rating	2380 lbf