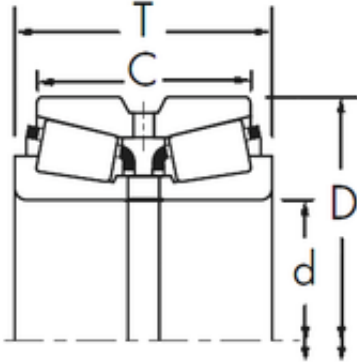




BEARING-MALAYSIA SDN.BHD.

Timken H249148/H249111CD+H249148XB
tapered roller bearings

Bearing No. H249148/H249111CD+H249148XB



H249148/H249111CD+H249148XB Bearing 2D
drawings and 3D CAD models

Size	241.3x406.4x215.9 mm
Bore Diameter	241,3 mm
Outer Diameter	406,4 mm
Width	215,9 mm
d	241,3 mm
D	406,4 mm
T	215,9 mm
C	184,15 mm
R	6,4 mm
r	1,5 mm