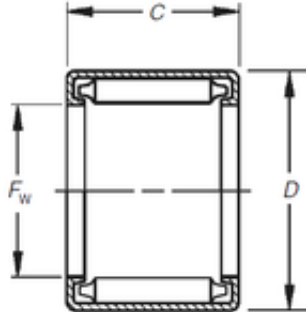




BEARING-MALAYSIA SDN.BHD.

Timken B-138 needle roller bearings



Bearing No. B-138

Size	20.638x26.988x12.7 mm
Bore Diameter	20,638 mm
Outer Diameter	26,988 mm
Width	12,7 mm
Fw	20,638 mm
D	26,988 mm
C	12,7 mm
Weight	0,018 Kg
Basic dynamic load rating (C)	14,8 kN
Basic static load rating (C0)	23,8 kN
(Grease) Lubrication Speed	3400 r/min

B-138 Bearing 2D drawings and 3D CAD models