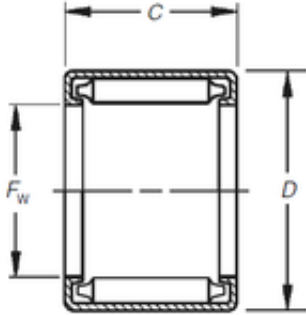




BEARING-MALAYSIA SDN.BHD.

Timken BH-1016 needle roller bearings



Bearing No. BH-1016

Size	15.875x22.212x25.4 mm
Bore Diameter	15,875 mm
Outer Diameter	22,212 mm
Width	25,4 mm
Fw	15,875 mm
D	22,212 mm
C	25,4 mm
Weight	0,028 Kg
Basic dynamic load rating (C)	26,2 kN
Basic static load rating (C0)	46,3 kN
(Grease) Lubrication Speed	4200 r/min

BH-1016 Bearing 2D drawings and 3D CAD models