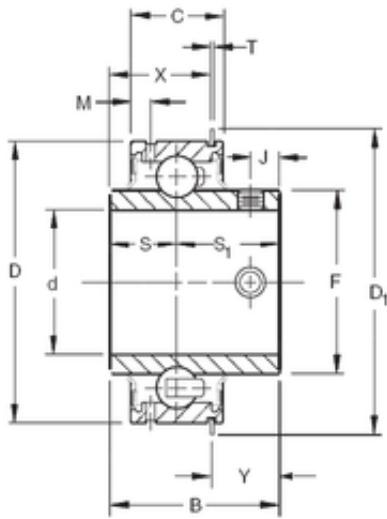




BEARING-MALAYSIA SDN.BHD.



47,625 mm x 90 mm x 51,59 mm Timken ER30
deep groove ball bearings

Bearing No. ER30

Size	47.625x90x51.59 mm
Bore Diameter	47,625 mm
Outer Diameter	90 mm
Width	51,59 mm
d	47,625 mm
D	90 mm
B	51,59 mm
C	28,58 mm
Y	24,66 mm
S1	32,54 mm
X	27,31 mm
D1	96,4 mm
F	55,66 mm
J	9,92 mm
M	7,14 mm
S	19,05 mm
T	2,4 mm
Thread (G)	M10X1,5

ER30 Bearing 2D drawings and 3D CAD models