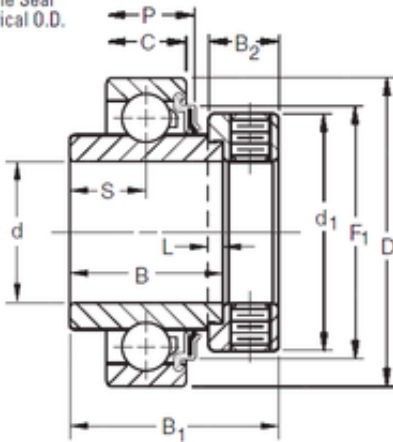




BEARING-MALAYSIA SDN.BHD.

KR One Seal
Cylindrical O.D.



19.05 mm x 47 mm x 34,13 mm Timken
1012KR deep groove ball bearings

Bearing No. 1012KR

Size	19.05x47x34.13 mm
Bore Diameter	19.05 mm
Outer Diameter	47 mm
Width	34,13 mm
d	19.05 mm
D	47 mm
B	34,13 mm
C	14 mm
P	15,29 mm
O	16,56 mm
d1	33,3 mm
B1	43,7 mm
B2	13,5 mm
L	4 mm
S	17,1 mm
F1	38,91 mm
Weight	0,204 Kg
Basic dynamic load rating (C)	14,3 kN

1012KR Bearing 2D drawings and 3D CAD models